

SONY**CXD2550P****Digital Filter for CD****Description**

CXD2550P is a digital filter LSI with 4-times/8-times over sampling rate, developed for compact disc player.

Features

- Provide a 4-times/8-times sampling digital filter.
- Filter characteristics
 - ripple within 0.05dB
 - attenuation below -40dB
- De-emphasis function
- Attenuate function (Built-in 1st noise shaping)
- I/O Format
 - Input: 2's complement MSB first (serial)
 - Output: 2's complement MSB first (serial)
 - (16 bit slot, 18 bit slot selection possible)

Application

Compact disc player

Structure

Silicon gate CMOS IC

Absolute Maximum Ratings (Ta = -20 to +75°C)

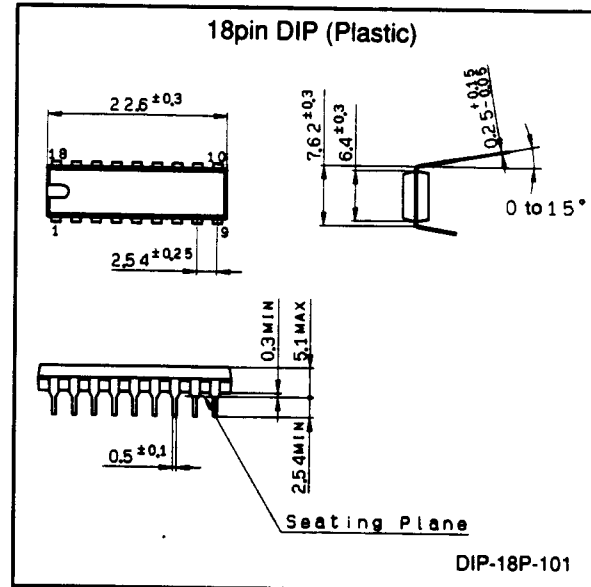
• Supply voltage	V _{DD}	-0.5 to +6.5	V
• Input voltage	V _I	-0.5 to V _{DD} + 0.5	V
• Storage temperature	T _{stg}	-55 to +150	°C
• Allowable power dissipation	P _D	500	mW (Ta=75°C)

Recommended Operating Conditions

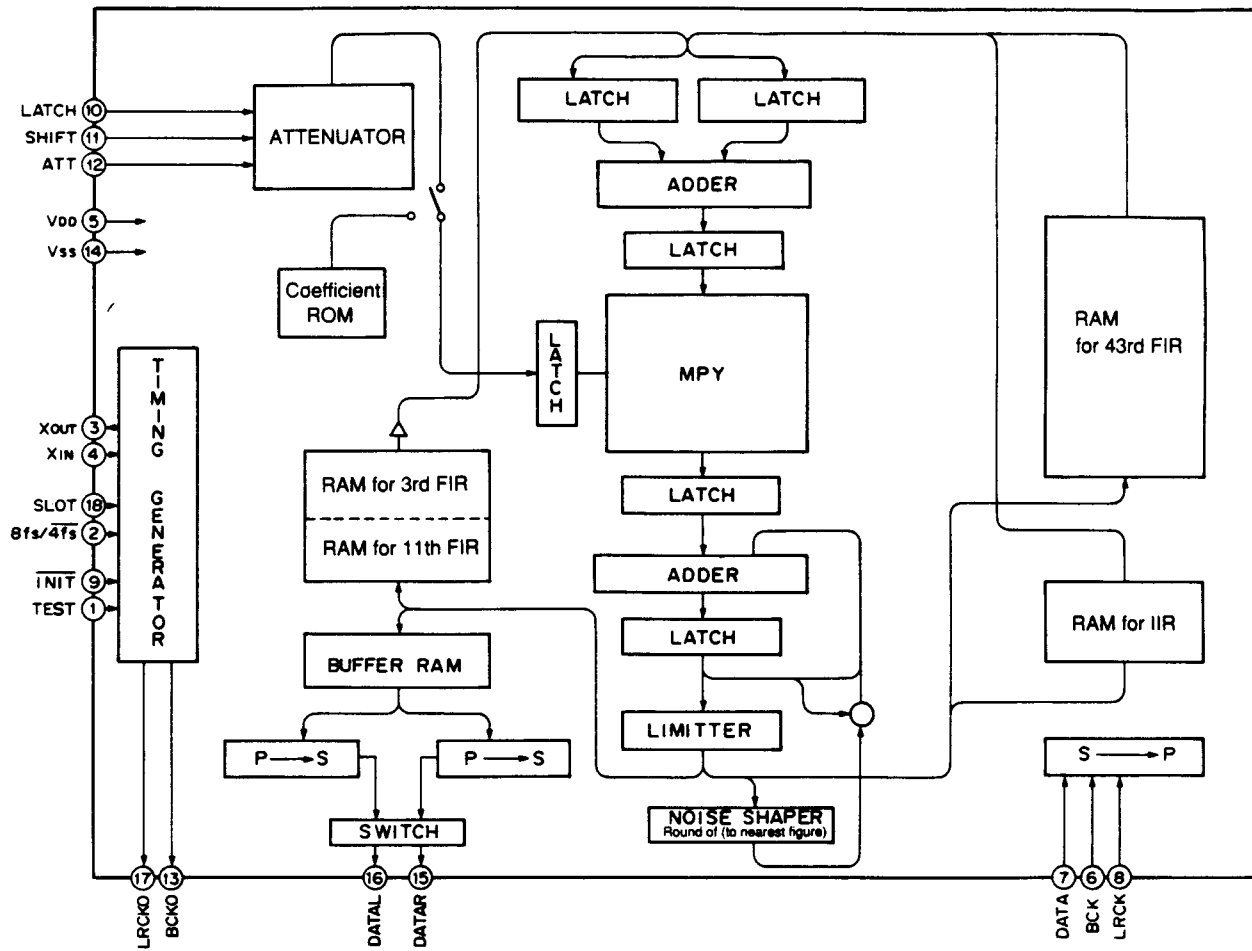
• Supply voltage	V _{DD}	4.5 to 5.5	V
• Operating temperature	T _{opr}	-20 to +75	°C
• OSC frequency	f _x	10 to 20	MHz (duty 50 ±10%)

Package Outline

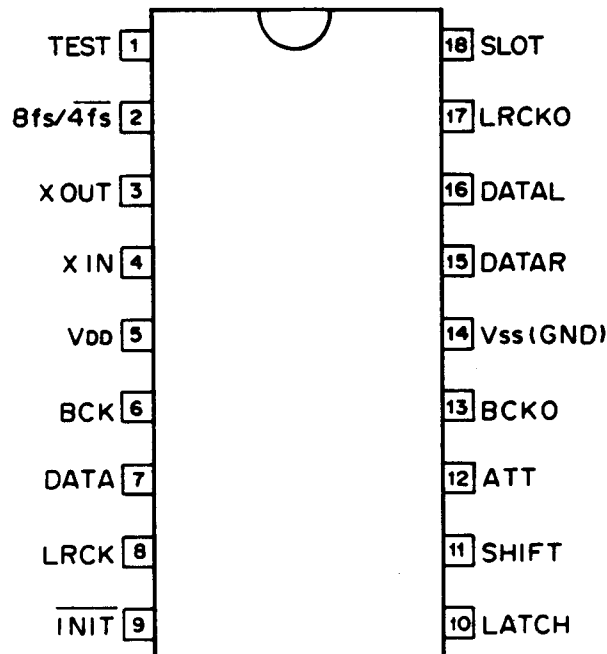
Unit: mm



Block Diagram



Pin Configuration (Top View)



Pin Description

No.	Symbol	I/O	Description
1	TEST	I	Test pin. For normal usage, fixed to 'L'
2	$8fs/\overline{4fs}$	I	FIR 3 selection, at 'H' 8fs at 'L' 4fs
3	X OUT	O	Master clock output (f=384fs)
4	X IN	I	Master clock input (f=384fs)
5	V _{DD}	—	+ Supply (5V)
6	BCK	I	BCK input
7	DATA	I	Serial data input (2's complement)
8	LRCK	I	LRCK input
9	$\overline{\text{INIT}}$	I	Resync with the rise of this signal
10	LATCH	I	Latch CLK input
11	SHIFT	I	Shift CLK input
12	ATT	I	Attenuate data input
13	BCKO	O	BCK output
14	V _{SS} (GND)	—	- Supply (0V)
15	DATAR	O	At 4fs: WCK output At 8fs: RCH serial data output (2's complement)
16	DATAL	O	At 4fs: LCH, RCH Time-shared serial data output (2's complement) At 8fs: LCH serial data output (2's complement)
17	LRCKO	O	LRCK output
18	SLOT	I	Output slot selection at 'H' 18 bit slot at 'L' 16 bit slot

*Note) TEST, $8fs/\overline{4fs}$, SLOT pins: Pull down

Electrical characteristics
DC characteristics

VDD=4.5 to 5.5 V, Ta=-20 to +75°C

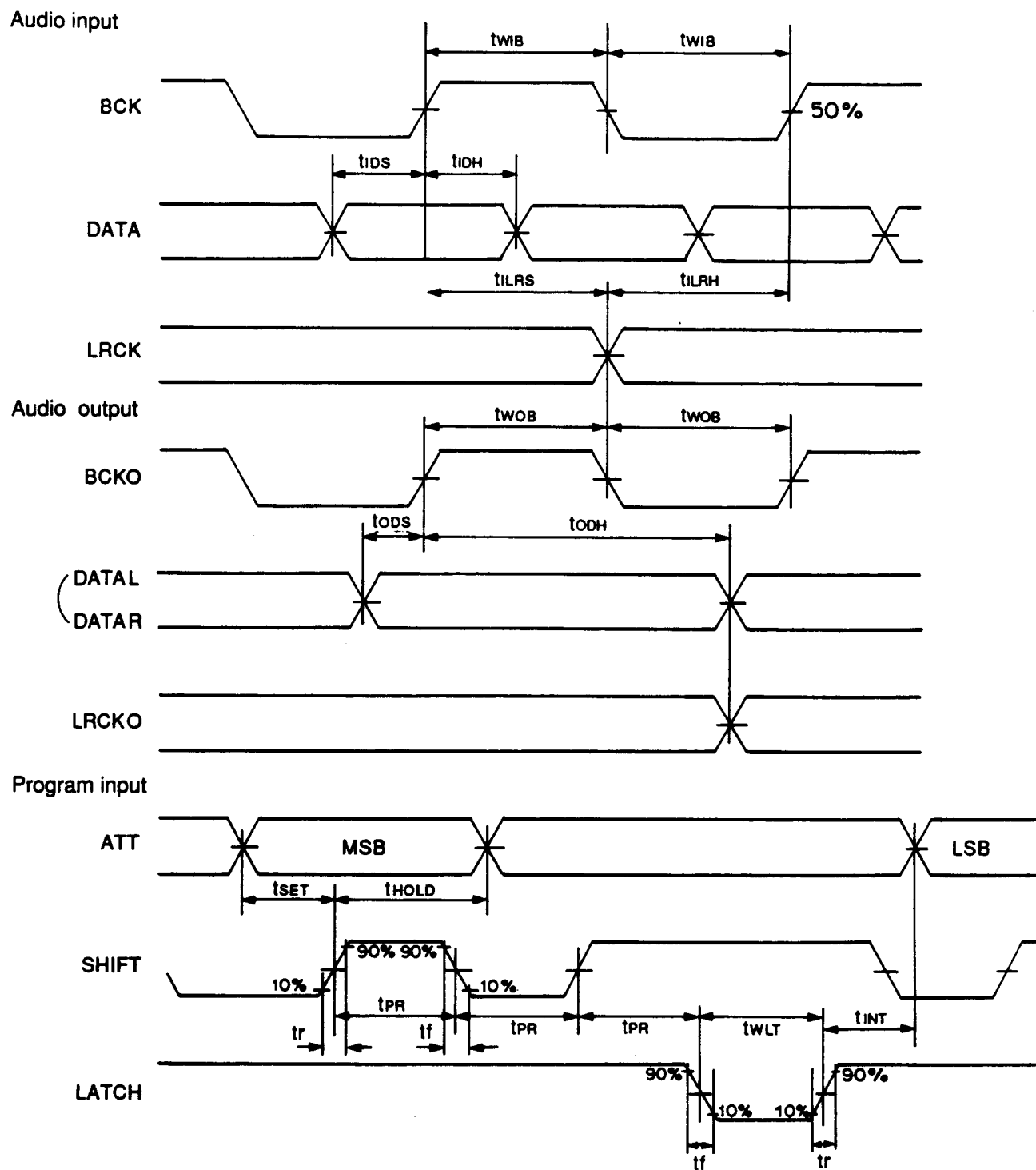
No.	Item	Symbol	Condition	Min.	Typ.	Max.	Unit
All inputs except 4 XIN	Input capacitance	CIN	————	—	3	5	pF
1, 2, 6, 7, 8, 9, 10, 11, 12, 18	'H' input voltage	VIN	————	0.76VDD	—	—	V
	'L' input voltage	VIL	————	—	—	0.24VDD	
6, 7, 8, 9, 10, 11, 12	Input leak current 1	IILK1	VI=VDD/ov	-5	—	5	μA
1, 2, 18	Pull down resistance	RPD	————	7.5	15	30	KΩ
	'L' input leak current	IIL	VI=ov	—	—	5	μA
4	Input leak current 2	IILK2	VI=VDD/ov	-20	—	20	
13, 15, 16, 17	'H' output voltage	VOH	ID=-4mA	VDD-0.5	—	—	V
	'L' output voltage	VOL	ID=4mA	—	—	0.4	
	Consumption current	IDD	No load VI=VDD/ov fx=16.9344MHz	—	—	40	mA

AC characteristics

VDD=4.5 to 5.5 V, Ta=-20 to +75°C

Item	Symbol	Condition	Min.	Typ.	Max.	Unit
Oscillation frequency	fx	————	10	16.9344	20	MHz
Input BCK frequency	fbck	————	—	—	4.0	
Input BCK pulse width	twib	————	100	—	—	ns
Input data set up time	tids	————	20	—	—	
Input data hold time	tidh	————	20	—	—	
Input LRCK set up time	tlrs	————	50	—	—	
Input LRCK hold time	tlrh	————	50	—	—	
Output BCKO pulse width	twob	8fs	40	—	—	
Output data set up time	tods	fx=16.9344MHz	25	—	—	
Output data hold time	todh	CI=50pF	25	—	—	
Program input base time	tpr	fx=16.9344MHz	250	—	—	
Latch input pulse width	twlt	fx=16.9344MHz	500	—	—	
Rise time (SHIFT, LATCH)	tr	————	—	—	200	ns
Fall time (SHIFT, LATCH)	tf	————	—	—	200	
Set up time (ATT)	tset	————	500	—	—	
Hold time (ATT)	thold	————	500	—	—	
Interval (ATT)	tint	————	1000	—	—	

Timing Chart



Functions

1. Soft muting

The soft mute function mutes or demutes output data on the basis of a muting time of $1024/f_s$ ($f_s=44.1\text{kHz}$ on CD).

2. Digital attenuator

The data transferred from an external attenuator may be used to attenuate the output data. The ATT data comprises 8 bits. The D7 is the digital de-emphasis control bit, whereas the D6 through D0 constitute attenuator data.

1) Command and audio output

The attenuator data is in 7 bits, allowing selection of 127 different settings. The relation between a command and output is shown in the following table.

Attenuator data D6 to D0	Audio output
7F(H)	0 dB
7E(H)	-0.13 dB
01(H)	-42.144 dB
00(H)	$-\infty$

An attenuator value between 01(H) and 7E(H) can be given by the following equation.

$$\text{ATT} = 20 \log \left[\frac{\text{Input data}}{128} \right] \text{ dB}$$

Example) Suppose that the attenuator data is 7A.

$$\text{ATT} = 20 \log \left[\frac{122}{128} \right] \text{ dB} = -0.417 \text{ dB}$$

3. I/O synchronizing circuit

1) Theory of operation

The synchronizing circuit opens a window for six internal system clocks, $CK2(f_x/4)$ to monitor whether the differentiated signal of the rise of LRCK (LRCK f) that may be input exists in it. If the LRCK is out of the window when the power supply is turned on, the synchronizing circuit holds the CK2 at the time it is in the center of the window, and lets it start as soon as the next LRCK f arrives. This operation synchronizes an external system and this IC and lines up the phases of serial input data.

2) Resynchronization by INIT

If the LRCK f is in the window when the power supply is turned ON, a fluctuation of LRCK could cause desynchronization during operation of the IC (particularly when it is either end of the window).

For this reason, resynchronization must always be achieved after the power supply has been turned ON. The operation for resynchronization is performed at the time the INIT rises. The operation initializes the synchronizing circuit to cause a temporary desynchronization and then achieves resynchronization, there by positioning the LRCK f in the center of the window.

4. Attenuator operation

Suppose that there are pieces of attenuator data ATT1, ATT2 and ATT3 and that $ATT1 > ATT3 > ATT2$ and that the piece of attenuator data ATT1 is transferred first and ATT2 transferred next. If ATT2 is transferred before the value of ATT1 is reached (during the state of A in Fig.1), the attenuation directly approaches the value of ATT2. If ATT3 is transferred before the value of ATT2 is reached (during the state of B or C in Fig.1), the attenuation is carried on from the value at the time(B or C) to approach the value of ATT3. Transition from one piece of attenuator data to another is the same as in the case of soft muting.

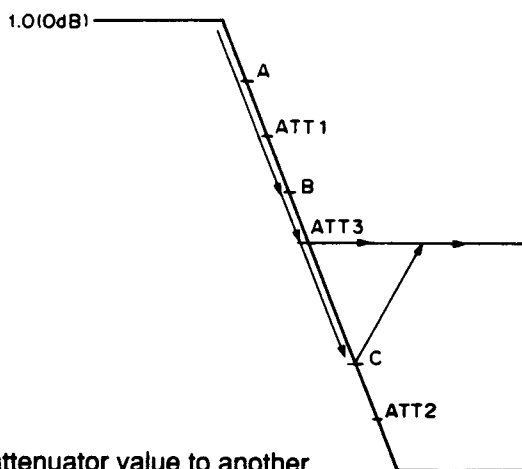


Fig.1 Transition from one attenuator value to another

5. Input data timing

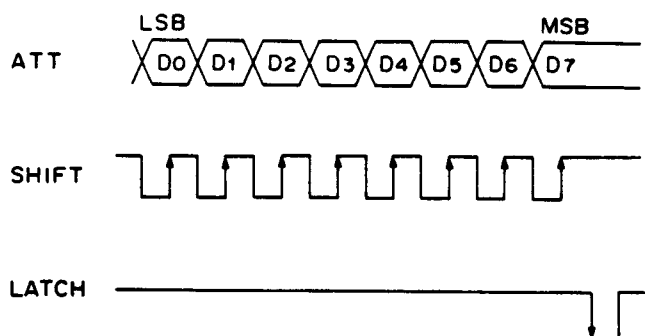


Fig.2 Timing of ATT, SHIFT and LATCH

1) The ATT data is LSB first.

2) About the ATT data

D7: Digital de-emphasis control bit

H: De-emphasis ON

L: De-emphasis OFF

Note that the time constants of emphasis are $\tau_1=50\mu\text{s}$ and $\tau_2=15\mu\text{s}$ at $f_s=44.1\text{kHz}$

D0 to D6: Attenuator data

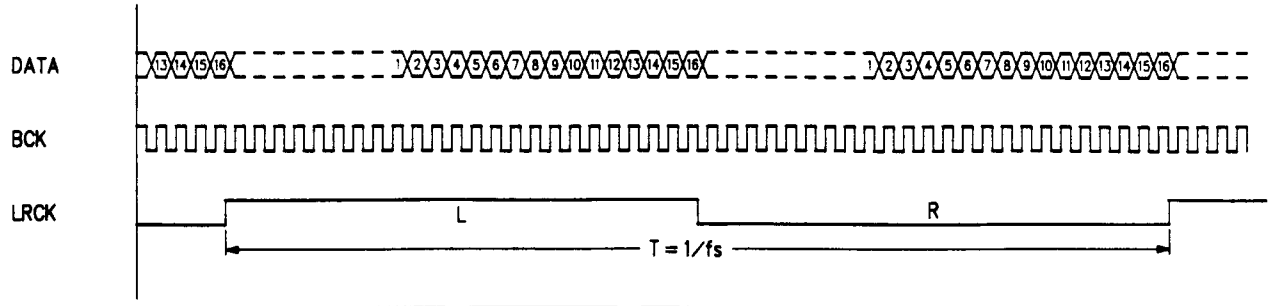
6. INIT pin

After $\overline{\text{INIT}}$, the counters and registers for the attenuators in the IC are reset to all 0s(muted state).

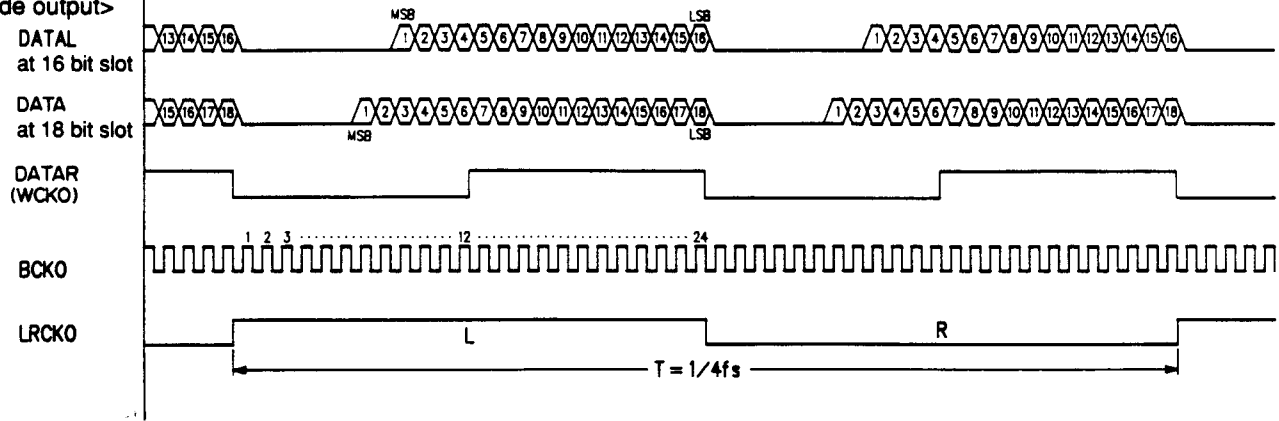
After $\overline{\text{INIT}}$, therefore, a proper value(7F(H) (Full scale) for example) should be transferred from the microcomputer to the ATT pins.

I/O Timing

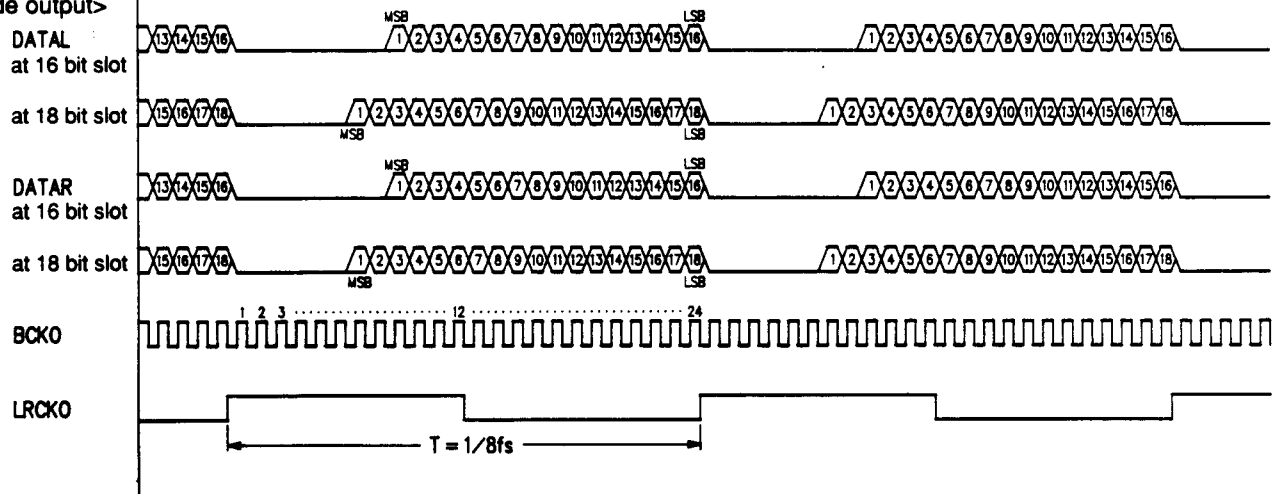
<Input>



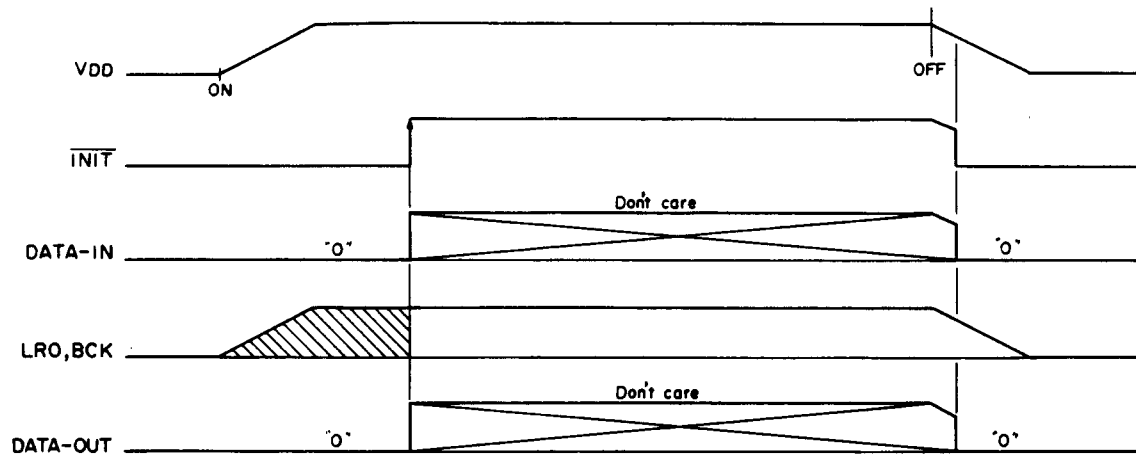
<4fs mode output>



<8fs mode output>



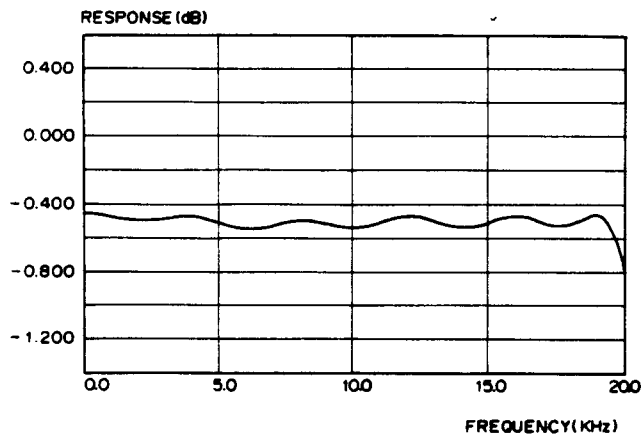
Operation at power ON/OFF



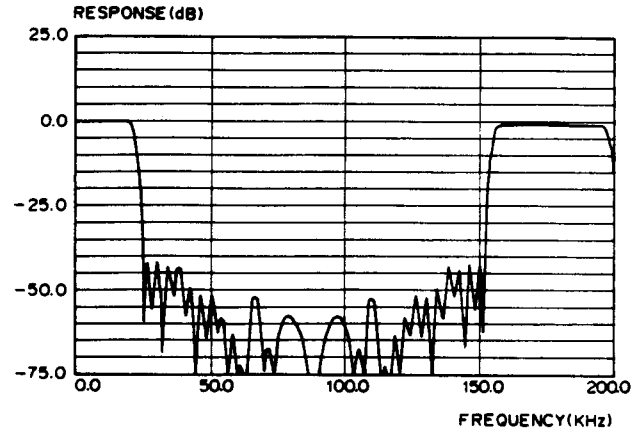
Filter Characteristics

Quadrupled over sampling mode

Frequency characteristics 1(Pass band)

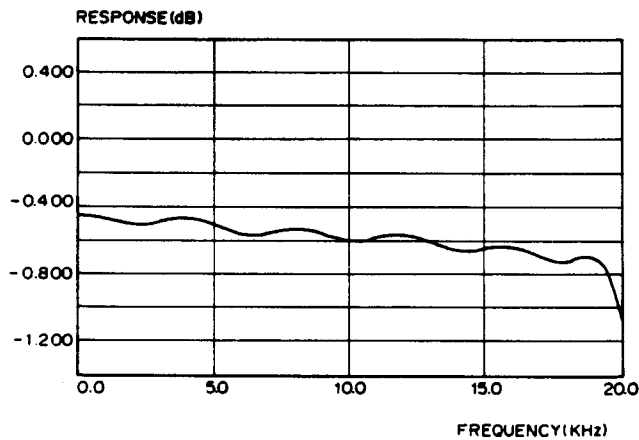


Frequency characteristics 2(Stop band)



Octupled over sampling mode

Filter characteristics 1(Pass band)



Filter characteristics 2(Stop band)

