

ALNICO ELECTRONICS INC.

UHF FM MINI POWER TRANSCEIVER

DJS—41

■ SPECIFICATIONS:

«General»

- Frequency range/ DJ-S41T 425.000 ~ 499.995
- Modulation/F3E
- DC power source/3.5~4.5V(internal batter), 5.5V (eternal regulated source)
- Current TX/approx. @4.5VDC 260mA, RX/approx. 33mA (squelched)
- Dimensions/55(W) x 100(M) x 28(D)mm without probations
- Weight/approx. 185g (with three AA drycells)

«Transmitter»

- Output Power/approx. @4.5VDC 340mW
- Modulator/Variable reactance
- Max. deviation/± 5kMz

«Receiver»

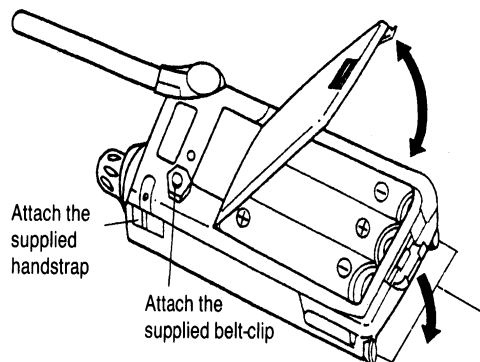
Configuration/Double conversion superheterodyne

- I.F./ 1st: 23.05mHz / 2nd: 450kHz
- Sensitivity/better than - 15dBμ(12dB SINAD)
- AF output/not less than 100mW (10% distort. @8Ω)

■ OPTIONS

- **Battery Charger** **MW818** (220VAC input)
- **Headset with VOX** **EME-12** (Ear pad type)
EME-13 (Ear phone type)
- **Tie-pin mic. And earphone with VOX** **EME-15**
- **Speaker Microphone** **EME-9**
- **Earphone Mic.** **EME-4**
- **Soft Case** **ESC-27**
- **Car lighter DC cable with voltage conversion to 5.5VDC** **EDH-18**
- **Mobile bracket** **EBC-6**

Lift the bottom tab and lift the battery-case cover. Insert three AA drycells or NiCd battery cells here; close, and lock with the bottom tab.



Charger terminals: Be careful not to touch with metals/conductives.

SETTINGS

ANTENNA ■ 1

Rotate and let the antenna stand up when operating.

EXTERNAL POWER TERMINAL ■ 2

Connect the optional EDH-18 or an external regulated 5.5 VDC source (negative ground).

EXTERNAL MICROPHONE JACK ■ 3

Connect to this jack when using an optional microphone.

EXTERNAL SPEAKER JACK ■ 4

Connect to this jack when using an optional speaker.

PTT ■ 5

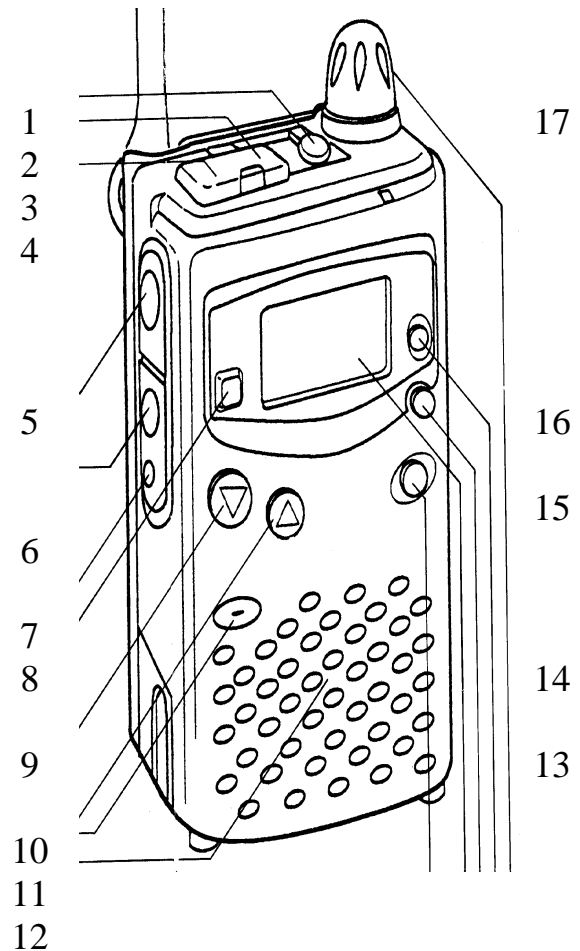
Press-to-talk switch.

MONITOR ■ 6

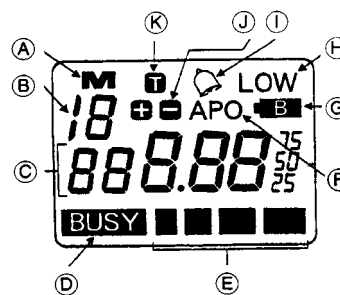
Press this switch to unmute the preset squelch and monitor weak signals. Press and hold the F-key and press this key to lock/unlock the keys to avoid unintended key entries. ("L" is displayed during the keylock.)

FUNCTION (F) ■ 7

Press and hold this key and press another key to activate this secondary function. Press and release this key quickly to change the blinking frequency digit: the blinking digit can be changed with the **UP/DOWN** key.



A) "M" is displayed continuously on a programmed memory channel. The "M" flashes on a memory channel not yet programmed.



B) Memory channel number.
 C) Frequency (and other parameters when programming functions.)
 D) "BUSY" when upon receiving a signal.
 E) S-meter/RF output power meter.
 F) Auto Power Off enabled.
 G) Low Battery Indication. (Flashes when

needs replacement or change.)

H) Low Power Output mode indicator.

I) Alarm function ON.

J) Other shift direction.

K) CTCSS tone encoder ON.

8■V/M/MW

Changes between VFO and memory channel. To program a memory channel,

1. In the VFO mode, press and hold this key,
2. Use the UP/DOWN key to select a memory channel number,
3. Press this key again to memorize the displayed frequency (including the offset and tone encoder) to that channel.

Memory channels are: c, 0~19.

9■DOWN/TONE

Press this key to change frequency/channel downward. Press this key while pressing the **F**-key to entire programming mode for the CTCSS encoder. Then press this key to change the encoding tone frequency. Press the **F**-key with this key again to display/erase the **T** in the LCD that tunes in/off the encoder. Press **PTT** to exit.

10■UP/STEP

Press this key to change frequency/channel upwards. Press this key while pressing the **F**-key to entire programming mode for the channel step. Press this key to change the channel step. Press **PTT** to exit.

11■MICROPHONE

12■SPEAKER

13■LAMP/APO

Press this key to illuminate the LCD for 5 seconds. Press and hold the **F**-key and press this key to toggle the APO (auto-power-off): Use the UP/DOWN keys to change the automatic power off timer from OFF to 120 min. in 30 min. step. Press and hold this key and turn, the power on, then the 5 second illumination timer is disabled: the lamp is toggled on/off with the key regardless of the time passed.

14■LCD

15■SCAN/SHIFT

Press this key to scan. Press and hold the **F**-key and press this key to set the semi-duplex offset frequency. Each press of the key in the offset setting mode changes the shift direction + or -. Press **PTT** to exit.

16■CALL/BELL

Pressing this key changes your operating frequency to memory ch "C". Pressing again resumes the original frequency. Press and hold the **F**-key and press this key to turn on/off the alarm function: the function alarms you with an electronic sound when a signal is received.

17■POWER SWITCH AND POWER

■ SPECIFICATIONS:

Condition Key	Pressed alone	Pressed while F is pressed	Press and hold and turn the power on
F	(DJ-S41T: If released quickly, freq. Change by digits)		reset
MONI	unmutes squelch	keylock/unlock	beep on/off
PTT	transmits		
V/M	VFO ⇐ ⇒ Memory	Memory Write	Channel Indication Mode
UP	freq./mem up (scans if pressed a while) (If pressed with PTT, emits alert tone.)	channel step	stand-by beep ON
DOWN	freq./mem down (scans if pressed awhile) (If pressed with PTT, emits alert tone.)	tone freq. change	stand-by beep OFF
CALL	call channel	alarm on/off	alert/1750Hz
SCAN	scan start	offset programming	
LAMP	lamp on/off	Auto Power Off	change lamp mode

■ OTHER FUNCTIONS

Stand-By Beep: A short beep is emitted on you transmitting signal upon each release of the PTT key, to let the other party "go ahead" and talk, To toggle on this function, press and hold the UP key and turn on the power. To toggle off, do the same with the DOWN key.

Reverse: To monitor the uplink frequency of the repeater (then an offset has been programmed), press RPT, than F + SHIFT, then press and hold the MONITOR key. Releasing the MONITOR key will cancel the reverse reception and pressing PTT will bring back to the original state.

Key Stroke Beep Sound: The beep heard with each stroke of keys can be toggled on/off, by pressing and holding the MONITOR key and turning the power on.

Channel Display Mode: Only the memory channel number (and not the frequency) is displayed. If your operations is limited on your "usual" channels only, this setting maybe useful. This mode can be entered/exited by press/holding the V/M key and turning the power on.

RESETTING: PRESS AND HOLD THE F-KEY AND TURN ON THE POWER.