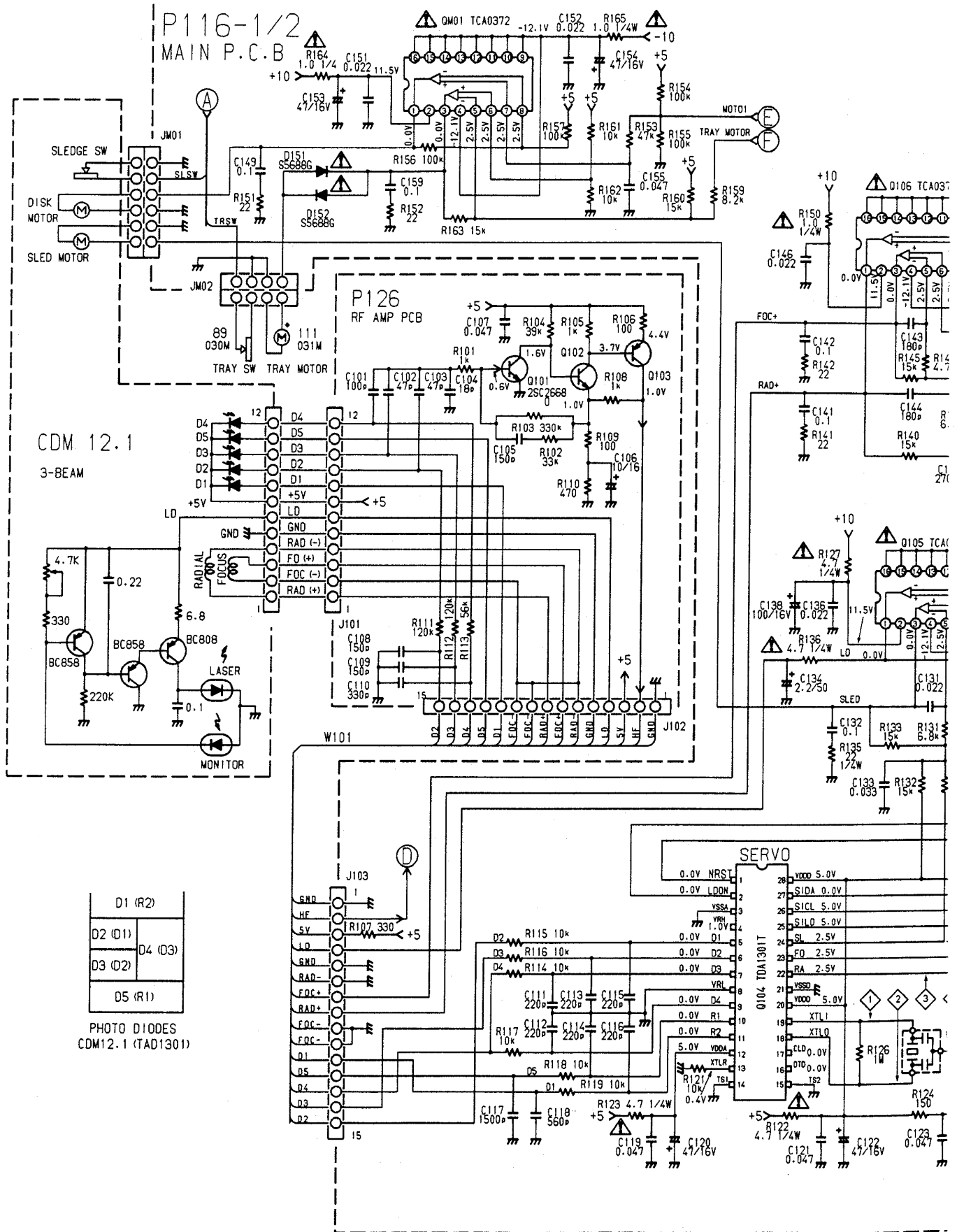
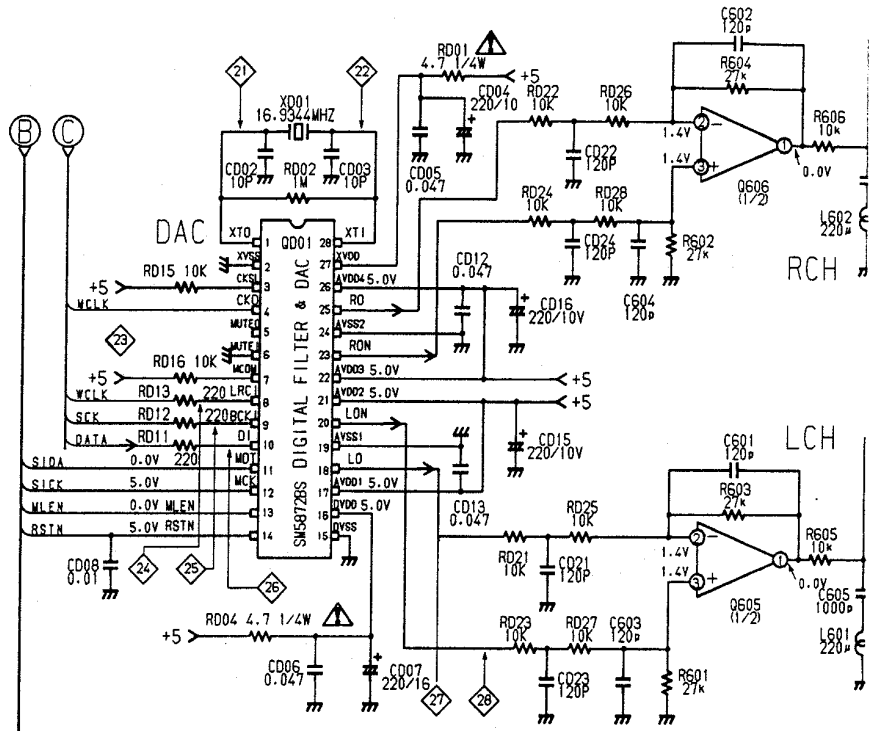
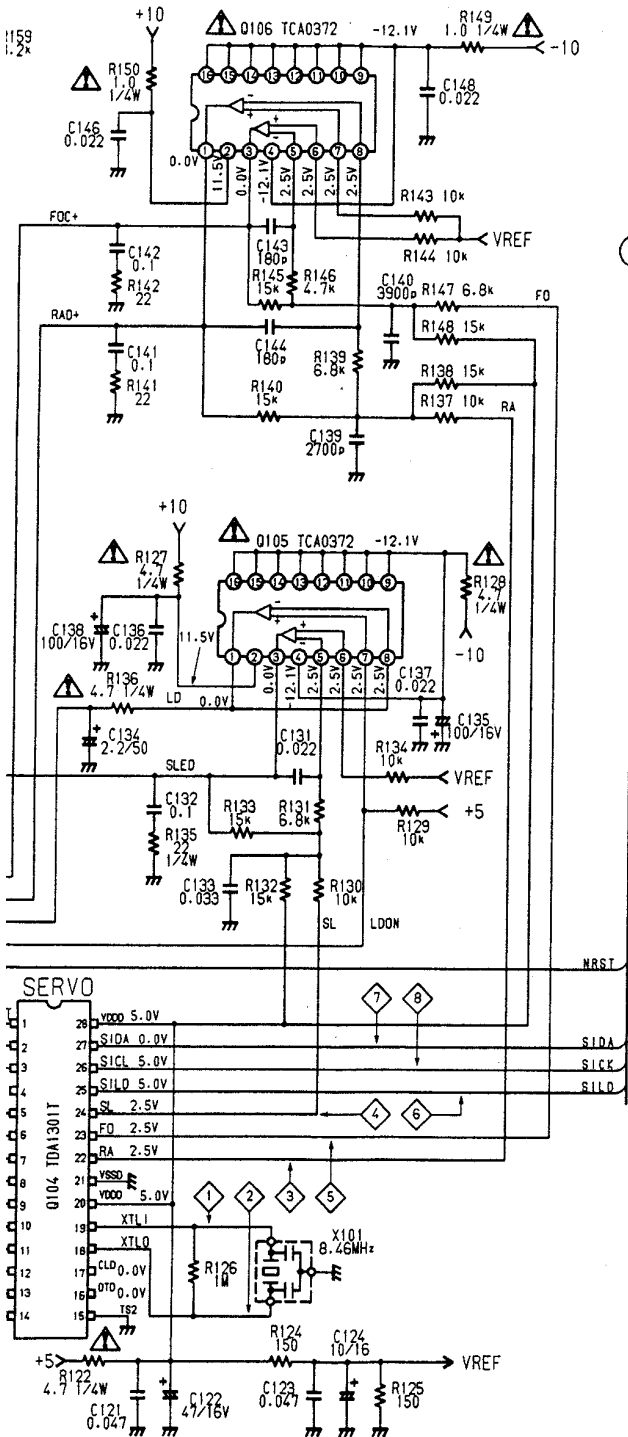
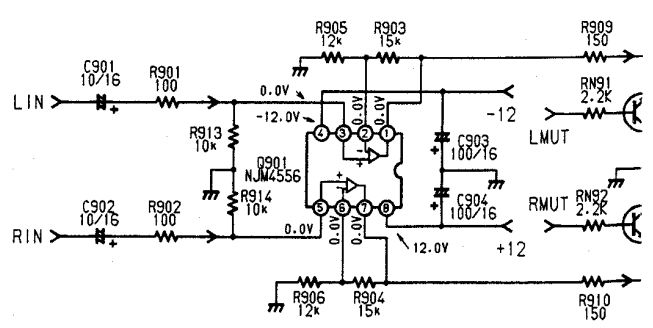


PP16 (1/2) - POWER/AUDIO/DIGITAL PCB

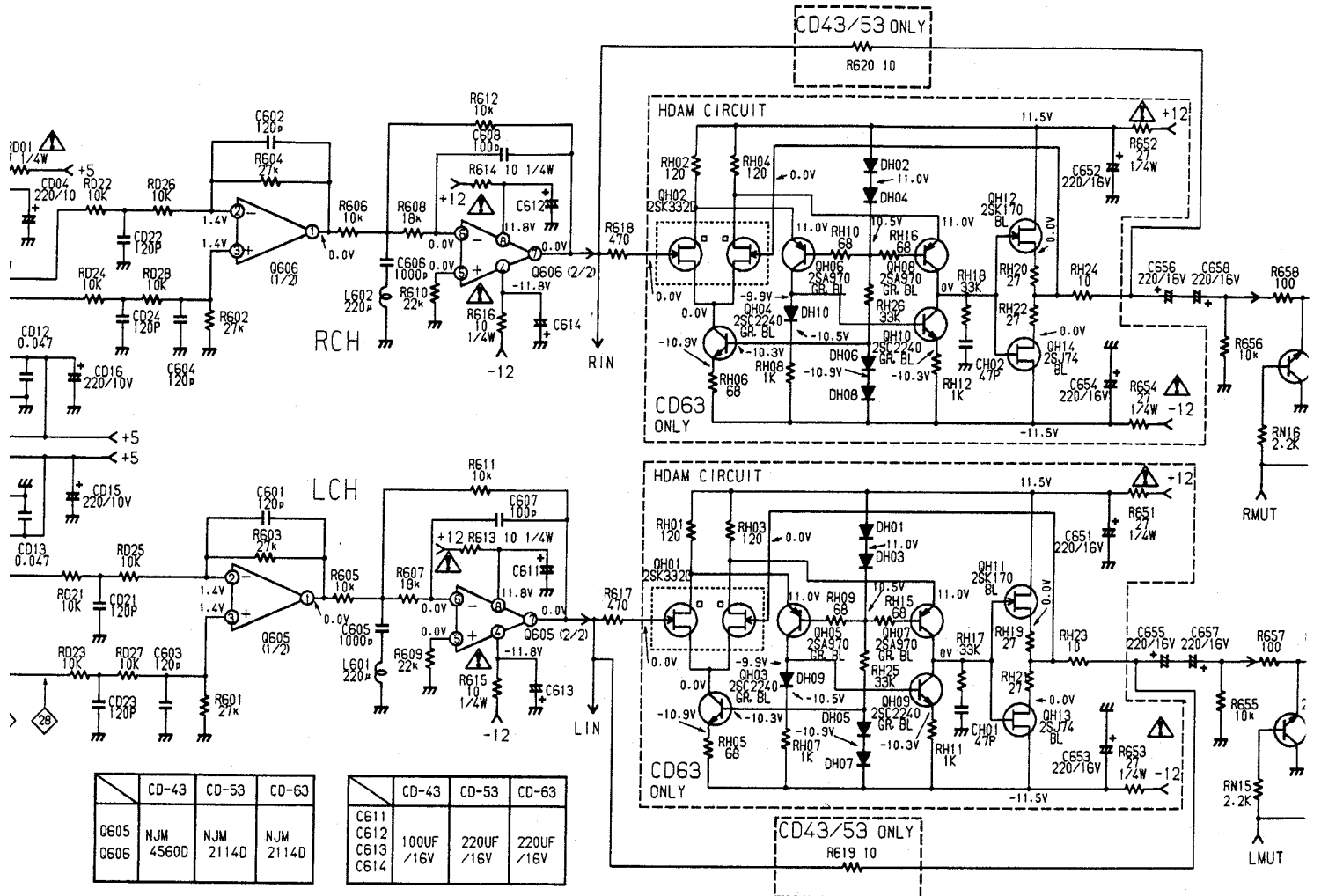




	CD-43	CD-53	CD-63	
O605	NJM	NJM	NJM	C61
O606	4560D	2114D	2114D	C61:
				C61:
				C61:

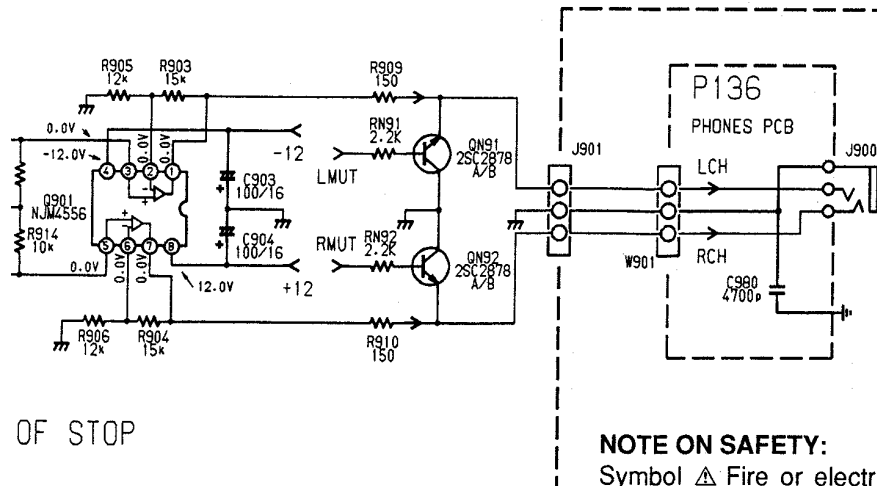


VOLTAGE VALUE IS UNDER CONDITION OF STOP



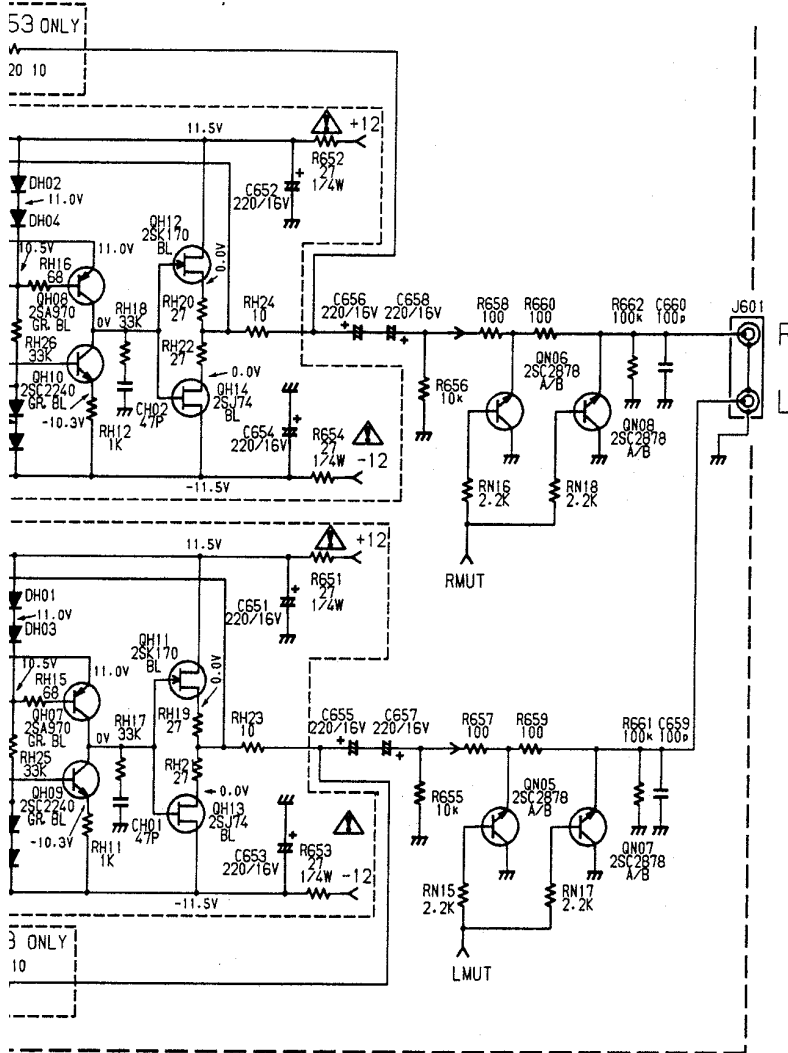
	CD-43	CD-53	CD-63
0605	NJM	NJM	NJM
0606	4560D	2114D	2114D

	CD-43	CD-53	CD-63
C611			
C612	100UF	220UF	220UF
C613	/16V	/16V	/16V
C614			



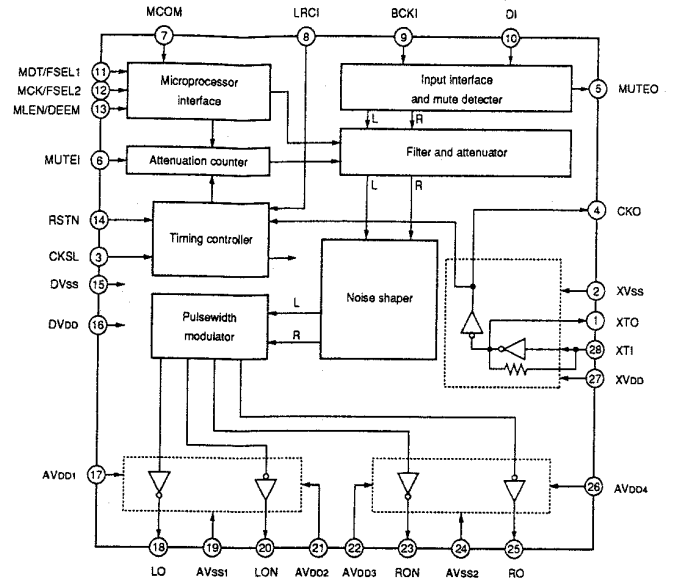
Q102	Q501	Q502	Q852	QF52	2SC5365P	OR	2SC
QF61	QN01	QN02	QN03	QN04	2SC3311	OR	2SC
QN20							
Q103	Q853	Q854	QF51	QN24	2SA6085P	OR	2SC
QN25					2SA1309	OR	2SC
DF01	DF03	DF04	DF51	DF52			
DH01	DH02	DH03	DH04	DH05	1SS176	OR	MA
DH06	DH07	DH08	DH09	DH10			
DN07	DN23	DN24	DN05				

NOTE ON SAFETY:
 Symbol Δ Fire or electrical shock hazard. Only original parts should be used. Any other component substitution (other than original) carries a risk of fire or electrical shock hazard.

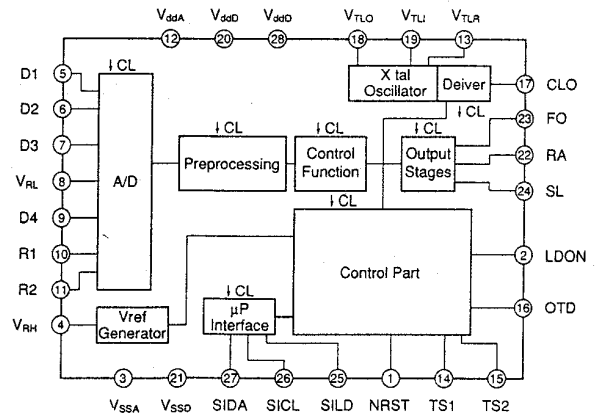


12	Q501	Q502	Q852	QF52	2SC536SP	OR	2SC2458	OR	
10	QN01	QN02	QN03	QN04	2SC3311	OR	2SC1740S		
13	Q853	Q854	QF51	QN24	2SA608SP	OR	2SA1048		
25					2SA1309	OR	2SA933S		
11	DF03	DF04	DF51	DFS2					
16	DH02	DH03	DH04	DH05	1SS176	OR	MA165	OR	1SS254
17	DN23	DN24	DN05						

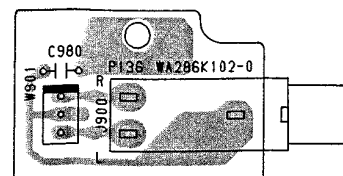
QD01 SM5872BS



Q104 TDA1301T

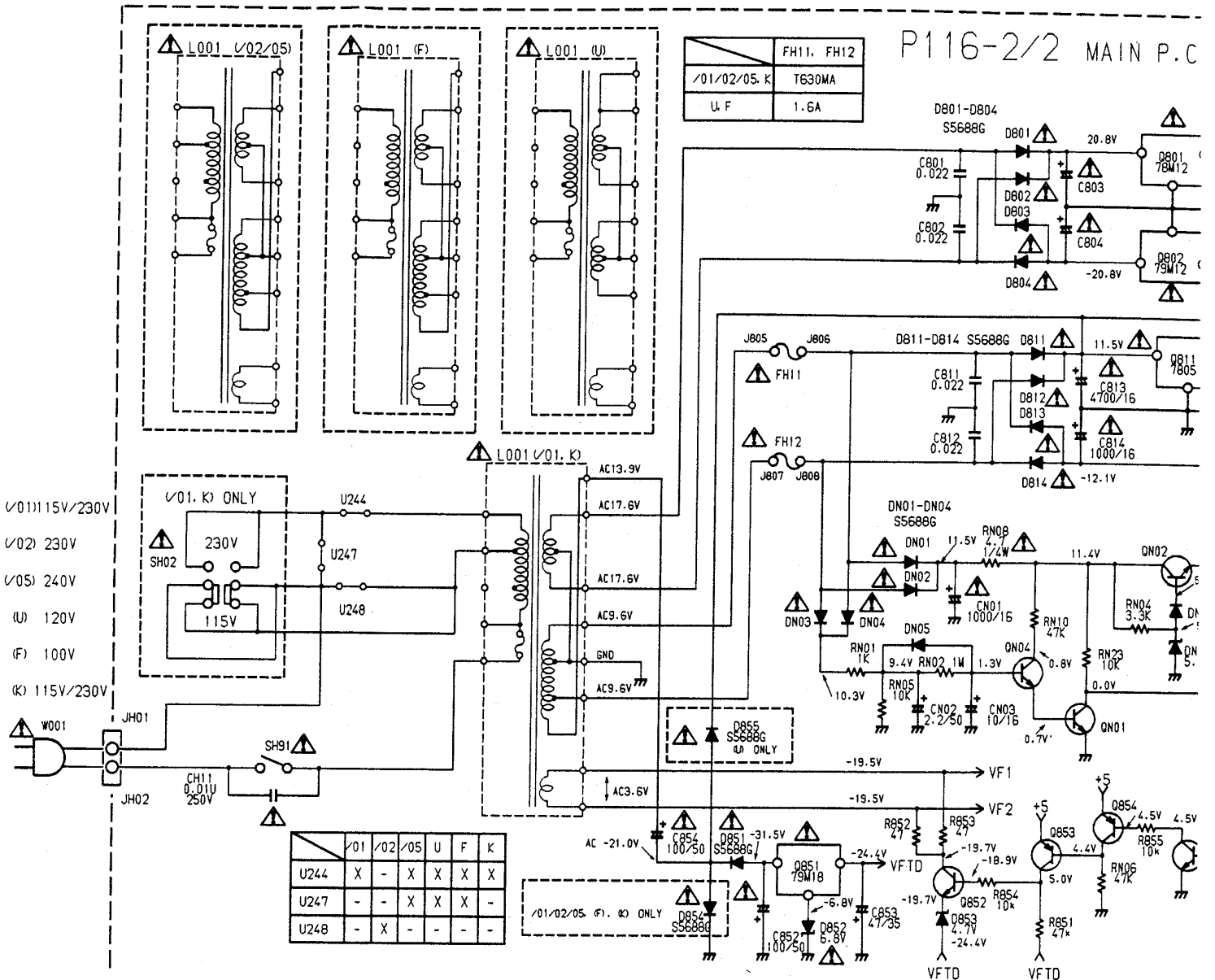


P136 PHONES PCB



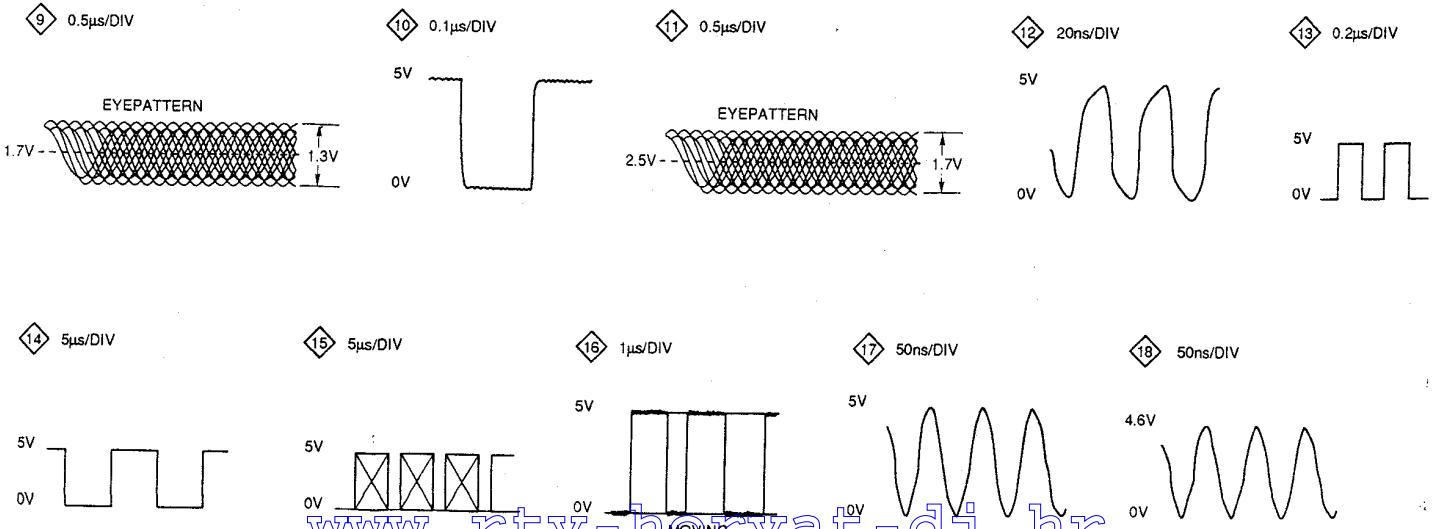
k hazard. Only original parts should be used to replace any part
 er component substitution (other than original type), may increase
 rd.

FH11, FH12	
/01/02/05. K	T630MA
U. F	1.6A

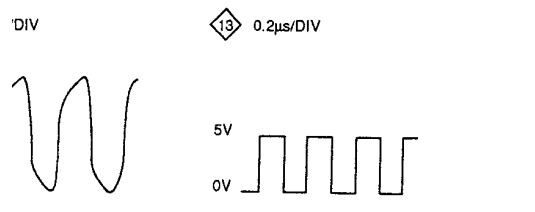
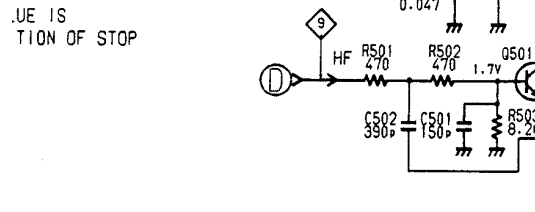
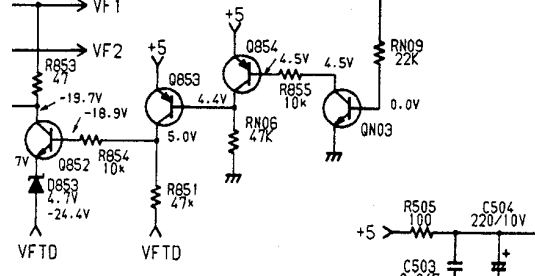
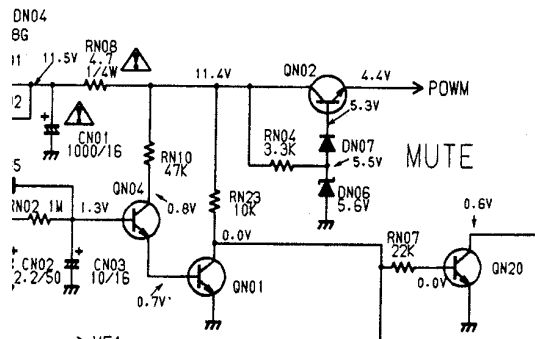
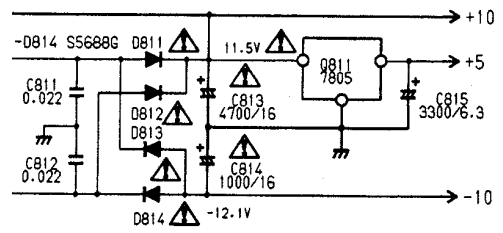
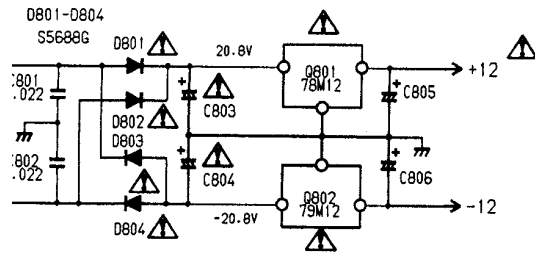


	/01	/02	/05	U	F	K
U244	X	-	X	X	X	X
U247	-	-	X	X	X	-
U248	-	X	-	-	-	-

VOLTAGE VALUE IS UNDER CONDITION OF STOP



116-2/2 MAIN P.C.B

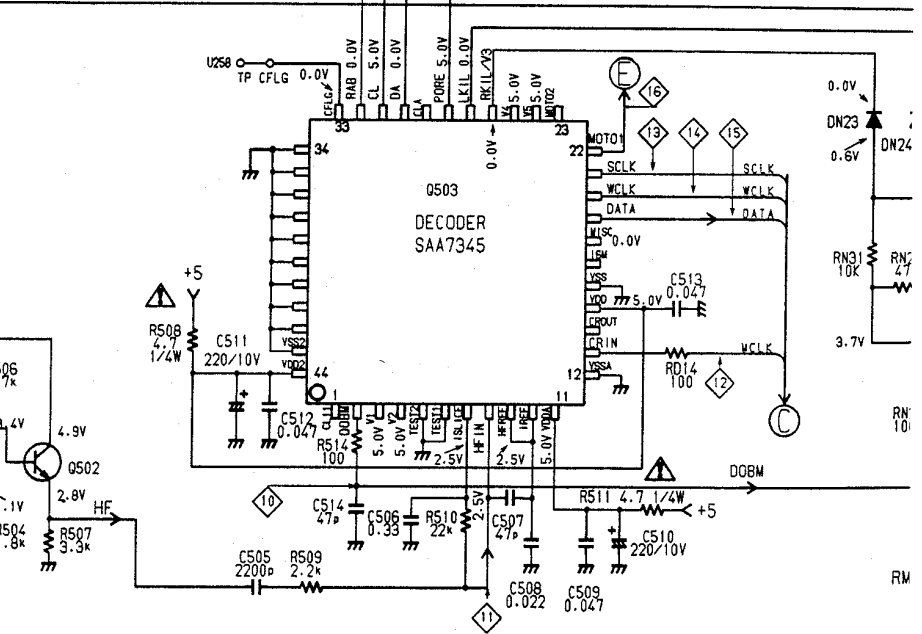
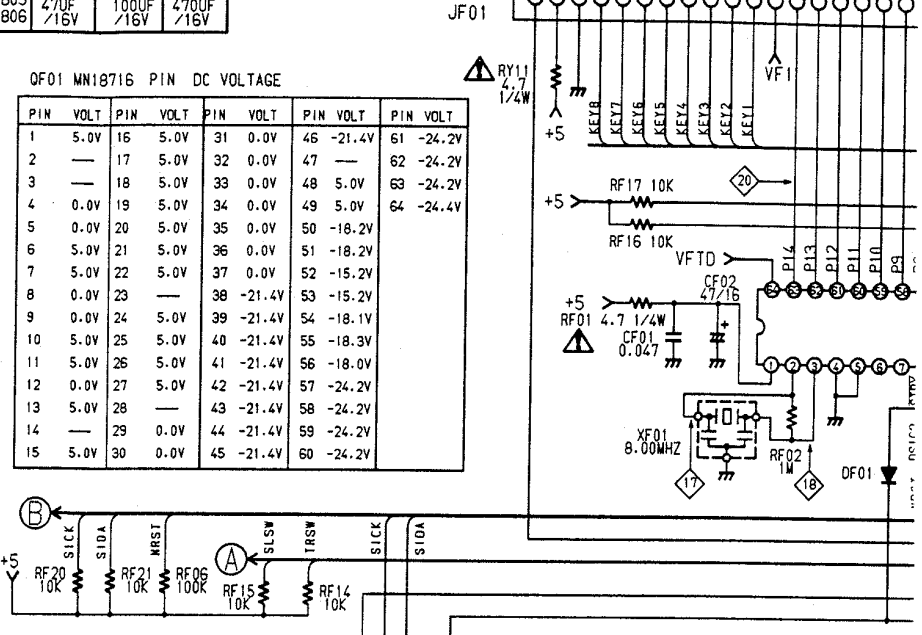


	CD-43	CD-53	CD-63
C803	220UF	220UF	470UF
C804	/35V	/35V	/35V
C805	47UF	100UF	470UF
C806	/16V	/16V	/16V

QF01 MN18716 PIN DC VOLTAGE

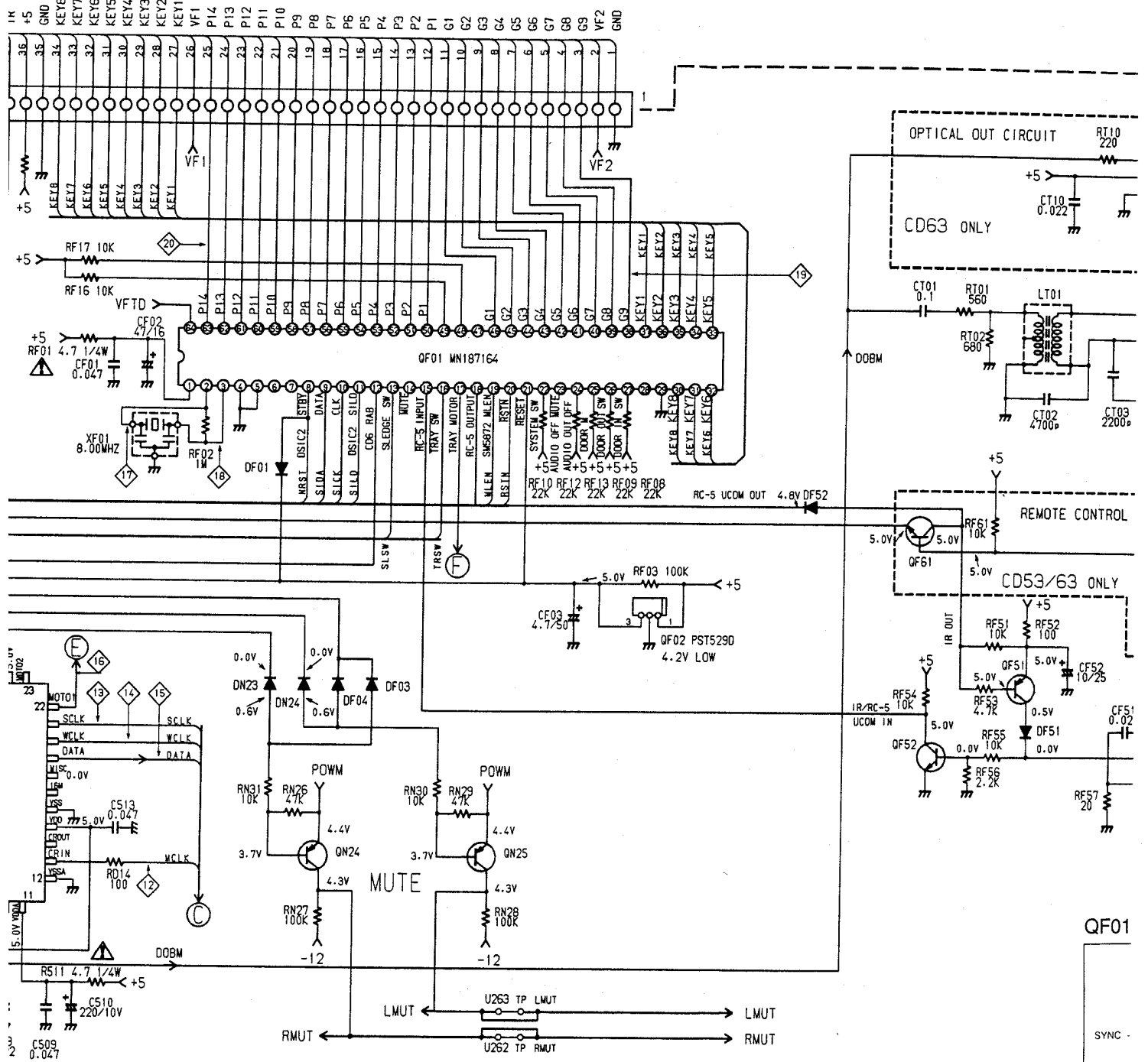
PIN	VOLT	PIN	VOLT	PIN	VOLT	PIN	VOLT	PIN	VOLT
1	5.0V	16	5.0V	31	0.0V	46	-21.4V	61	-24.2V
2	—	17	5.0V	32	0.0V	47	—	62	-24.2V
3	—	18	5.0V	33	0.0V	48	5.0V	63	-24.2V
4	0.0V	19	5.0V	34	0.0V	49	5.0V	64	-24.4V
5	0.0V	20	5.0V	35	0.0V	50	-18.2V		
6	5.0V	21	5.0V	36	0.0V	51	-18.2V		
7	5.0V	22	5.0V	37	0.0V	52	-15.2V		
8	0.0V	23	—	38	-21.4V	53	-15.2V		
9	0.0V	24	—	39	-21.4V	54	-18.1V		
10	5.0V	25	5.0V	40	-21.4V	55	-18.3V		
11	5.0V	26	5.0V	41	-21.4V	56	-18.0V		
12	0.0V	27	5.0V	42	-21.4V	57	-24.2V		
13	5.0V	28	—	43	-21.4V	58	-24.2V		
14	—	29	0.0V	44	-21.4V	59	-24.2V		
15	5.0V	30	0.0V	45	-21.4V	60	-24.2V		

TO FRONT PCB



NOTE ON SAFETY:

Symbol Δ Fire or electrical shock hazard. Only original components marked with symbol Δ . Any other component substitution carries a risk of fire or electrical shock hazard.

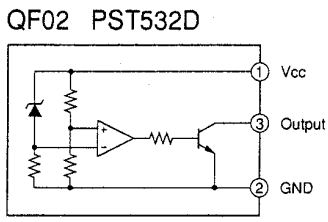
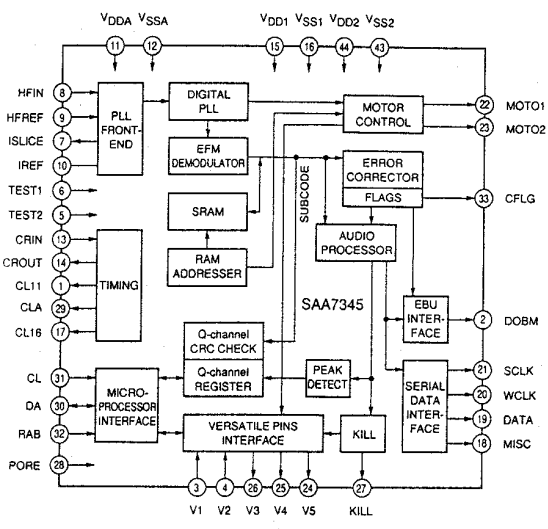
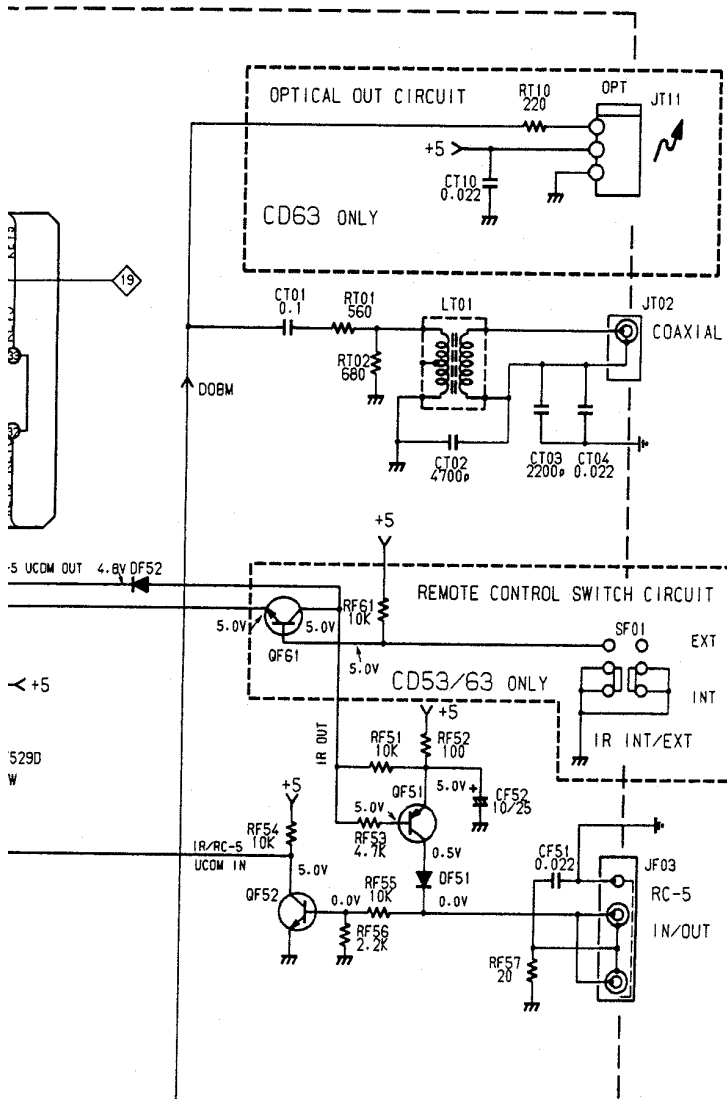


QF01

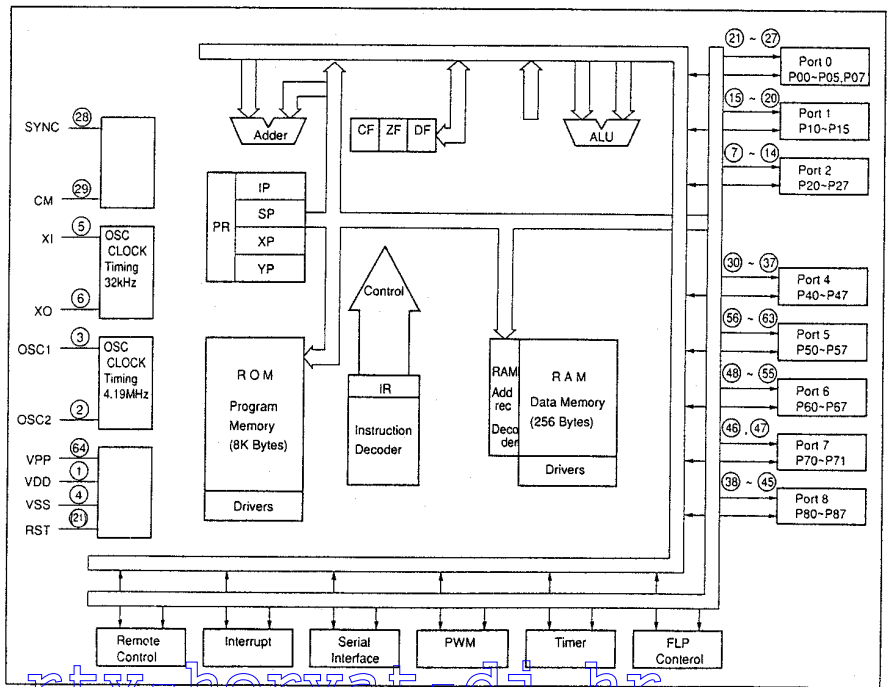
1K	+	5
36	GND	
35	KEY8	
34	KEY7	
33	KEY6	
32	KEY5	
31	KEY4	
30	KEY3	
29	KEY2	
28	KEY1	
27	VF1	
26	VF1	
25	P14	
24	P13	
23	P12	
22	P11	
21	P10	
20	P9	
19	P8	
18	P7	
17	P6	
16	P5	
15	P4	
14	P3	
13	P2	
12	P1	
11	G1	
10	G2	
9	G3	
8	G4	
7	G5	
6	G6	
5	G7	
4	G8	
3	G9	
2	VF2	
1	GND	

lectrical shock hazard. Only original parts should be used to replace any part
 △. Any other component substitution (other than original type), may increase
 al shock hazard.

Q503 SAA7345

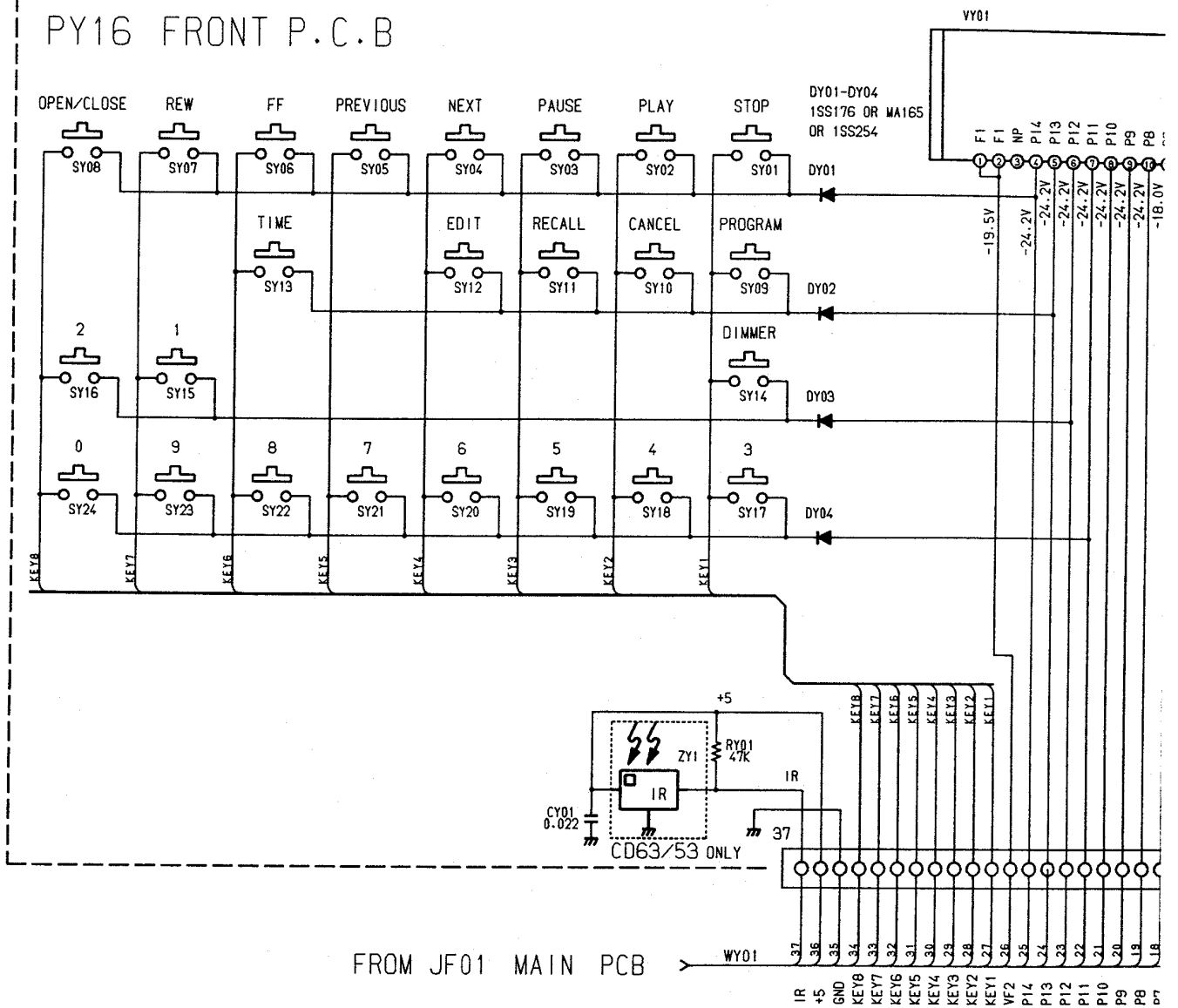


QF01 MN187164



→ LMUT
→ RMUT

PY16 FRONT P.C.B



PY16 FRONT PCB

